

8

7

6

5

4

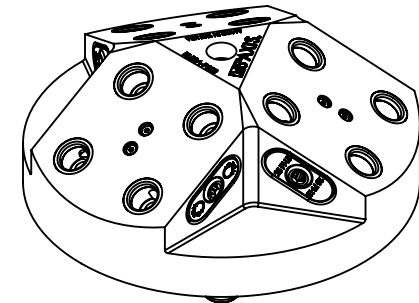
3

2

1

MATERIAL:
RL52A-P330: 6061 ALUMINUM BODY

RL52A-P330



D

D

C

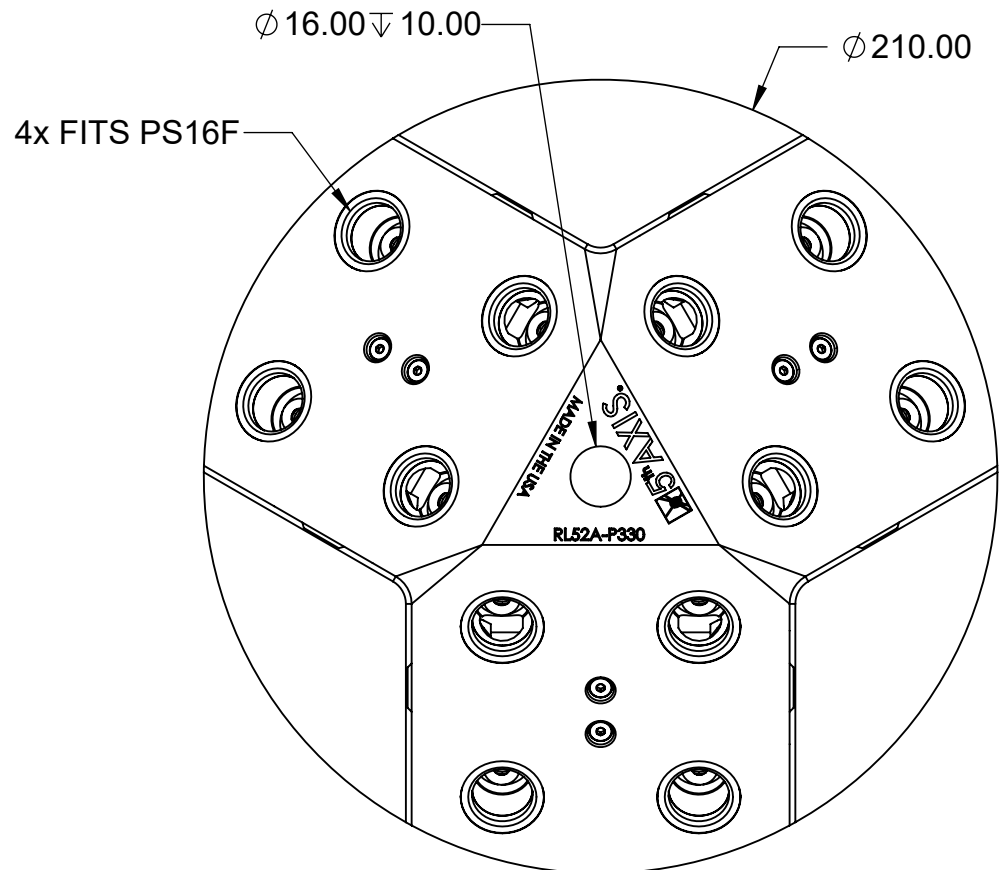
C

B

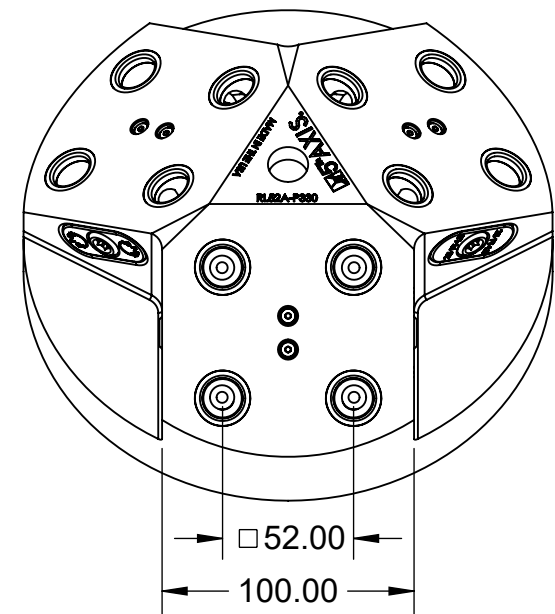
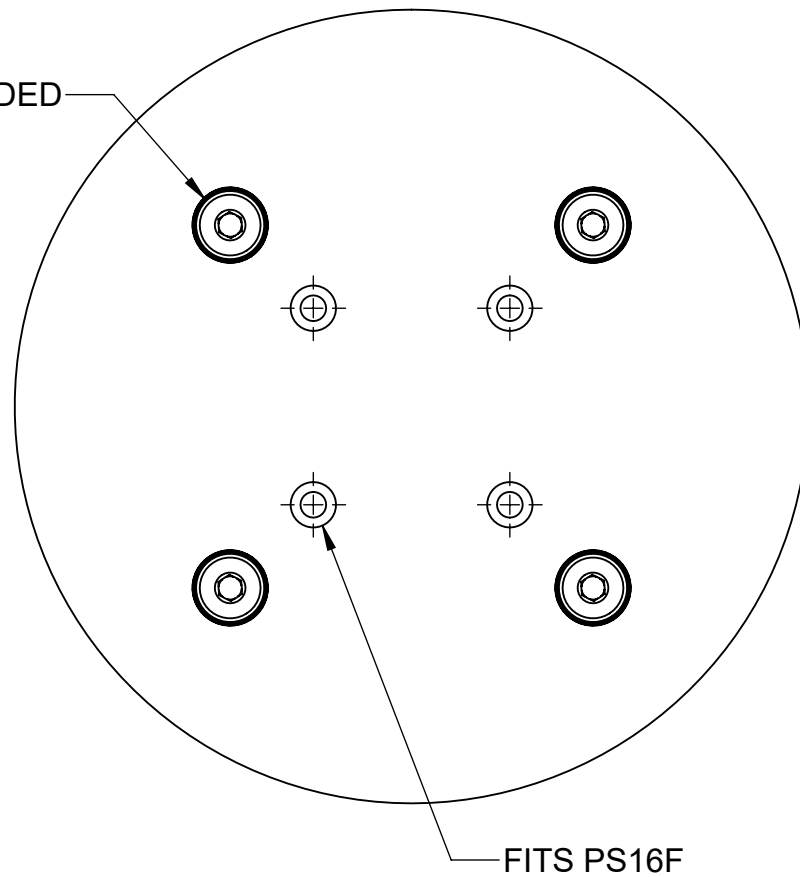
B

A

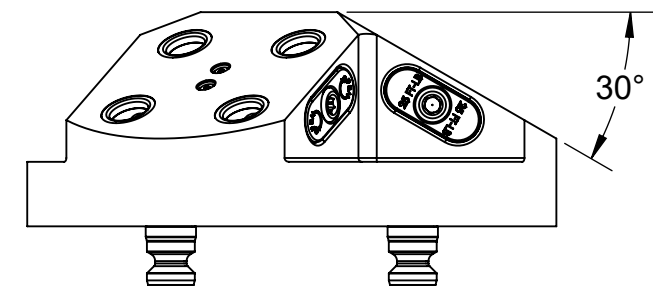
A



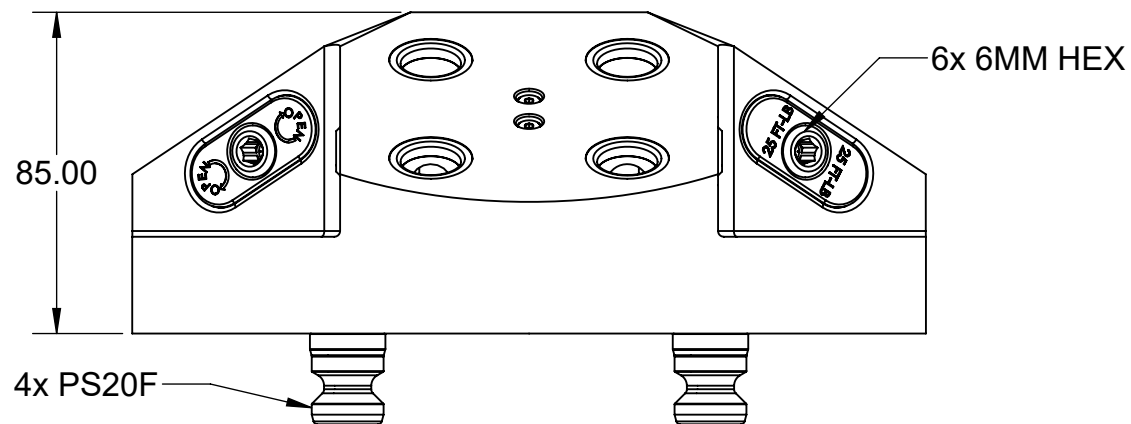
4x PS20F INCLUDED


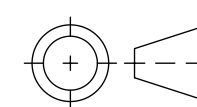


TOP FACE AUXILIARY VIEW
SCALE 1:3



FRONT AUXILIARY VIEW
SCALE 1:3



MILLIMETER		TOLERANCES UNLESS OTHERWISE SPECIFIED			
DRAWN IN ACCORDANCE WITH ASME Y14.5-2009		x ± 0.1 .xx ± 0.01 .x ± 0.05 .xxx ± 0.005 ANGULAR ± 0.5°			
WWW.5THAXIS.COM		THIRD ANGLE PROJECTION		DESCRIPTION ROCKLOCK™ 52MM THREE SIDED PYRAMID BASE	
7140 ENGINEER ROAD SAN DIEGO, CA 92111				SIZE B	PART NO. RL52A-P330
P (858) 505-0432 F (858) 505-9344				REV A	
		DO NOT SCALE DRAWING		SCALE 1:2	WEIGHT: 5.3 KG
				SHEET 1 OF 3	

8

7

6

5

4

3

2

1

8

7

6

5

4

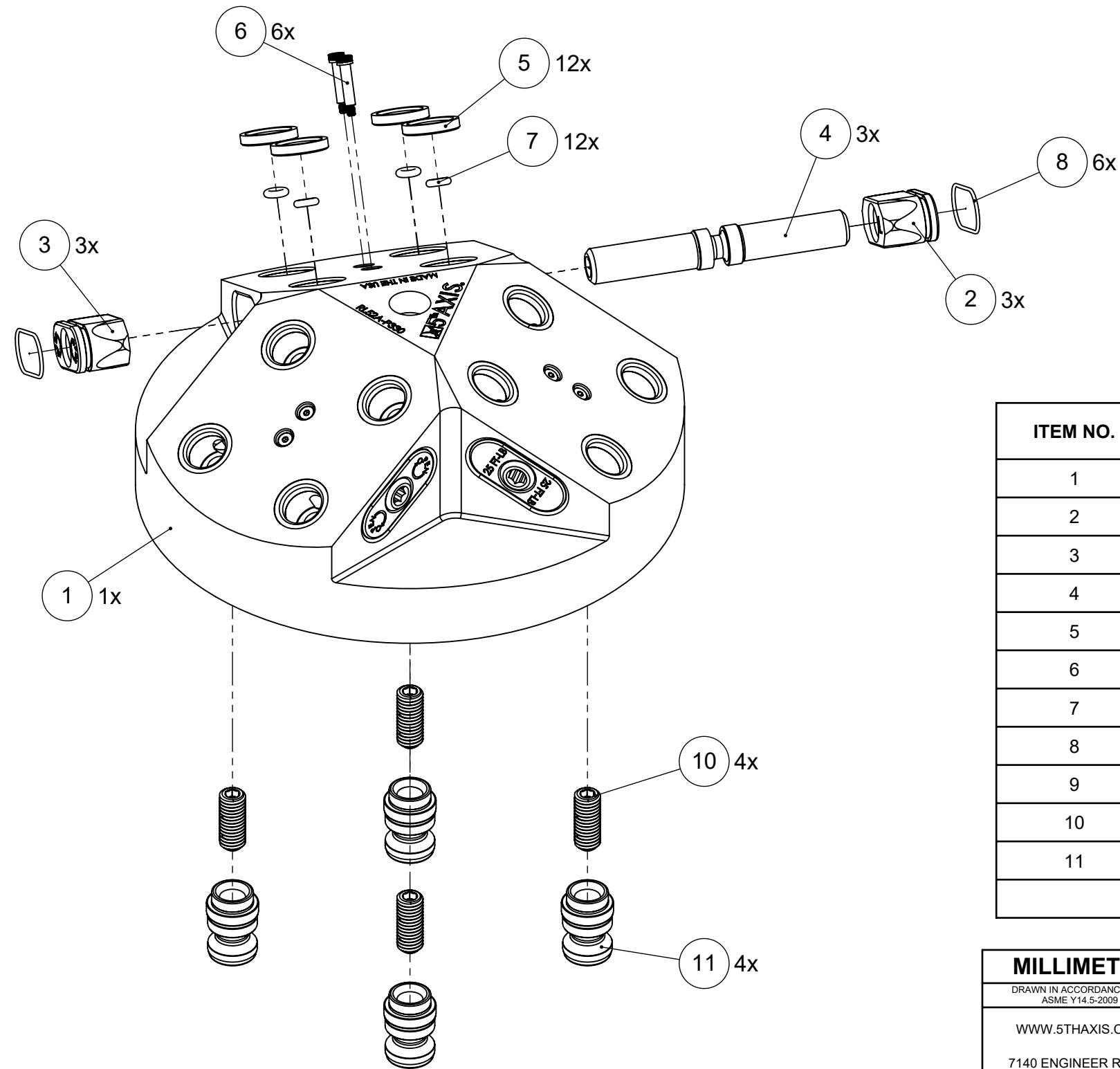
3

2

1

MATERIAL:
RL52A-P330: 6061 ALUMINUM BODY

RL52A-P330



ITEM NO.	PART NUMBER	DESCRIPTION	QTY.
1	RL52-1P330A	ROCKLOCK™ BASE	1
2	RL52-2L	LEFT ROCKLOCK™ TRUCK	3
3	RL52-2R	RIGHT ROCKLOCK™ TRUCK	3
4	RL52-3	ROCKLOCK™ LEAD SCREW	3
5	22X16.DB	PRECISION BUSHING	12
6	SB43	SHOULDER BOLT	6
7	9452K168	BASE O-RING	12
8	9452K77	TRUCK O-RING	6
9	9750K72	PLASTIC PLUG (NOT SHOWN)	12
10	91390A162	SET SCREW	4
11	PS20F	PULL STUD	4

FOR REFERENCE ONLY - NOT FOR RESALE

MILLIMETER <small>DRAWN IN ACCORDANCE WITH ASME Y14.5-2009</small> WWW.5THAXIS.COM 7140 ENGINEER ROAD SAN DIEGO, CA 92111 P (858) 505-0432 F (858) 505-9344	TOLERANCES <small>UNLESS OTHERWISE SPECIFIED</small> x ± 0.1 .xx ± 0.01 .x ± 0.05 .xxx ± 0.005 ANGULAR ± 0.5° THIRD ANGLE PROJECTION				
		DESCRIPTION ROCKLOCK™ 52MM THREE SIDED PYRAMID BASE			
SIZE B PART NO. RL52A-P330 REV A		DO NOT SCALE DRAWING	SCALE 1:2	WEIGHT: 5.3 KG	SHEET 2 OF 3

8

7

6

5

4

3

2

1

8

7

6

5

4

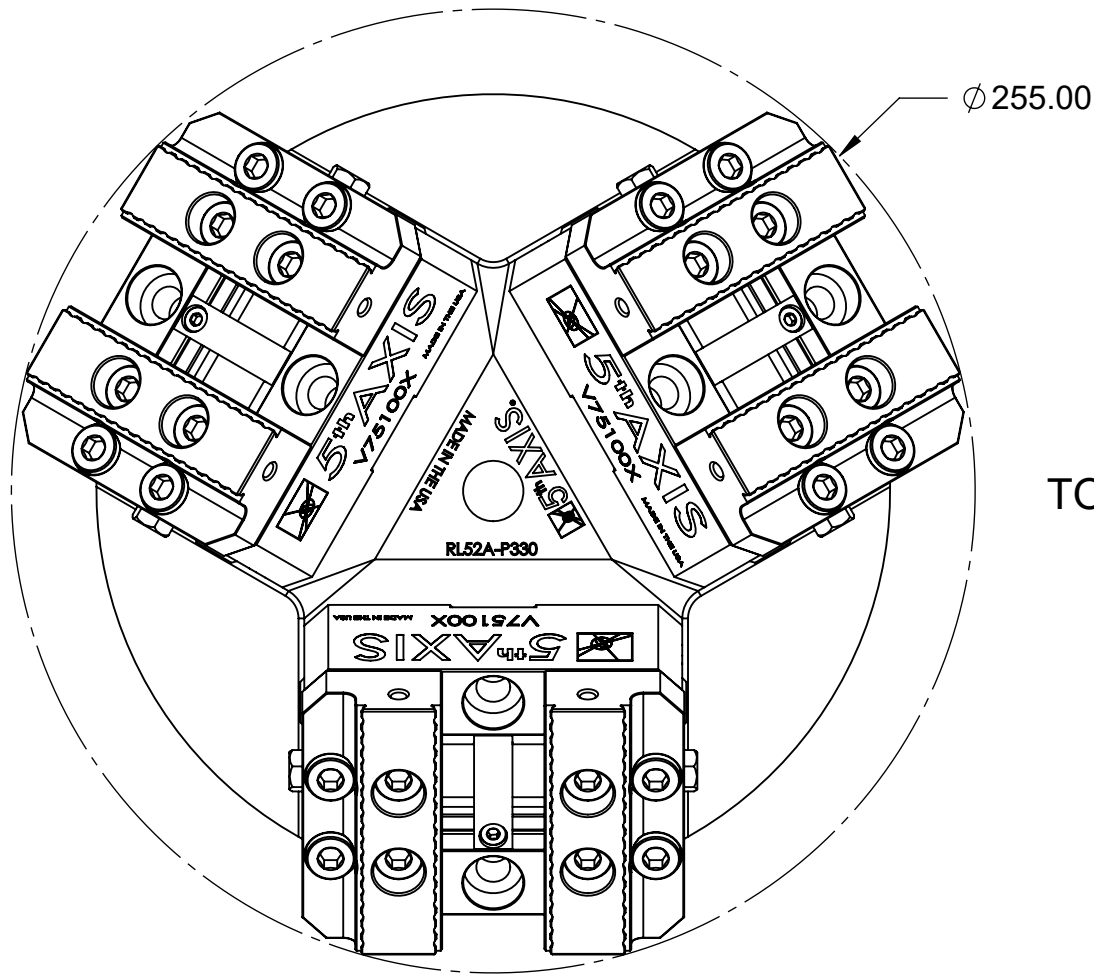
3

2


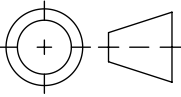
1

MATERIAL:
RL52A-P330: 6061 ALUMINUM BODY

RL52A-P330



TOP VIEW OF RL52A-P330 WITH 3x V75100X

MILLIMETER		TOLERANCES UNLESS OTHERWISE SPECIFIED				
DRAWN IN ACCORDANCE WITH ASME Y14.5-2009		x ± 0.1 .xx ± 0.01 .x ± 0.05 .xxx ± 0.005 ANGULAR ± 0.5°				
WWW.5THAXIS.COM		THIRD ANGLE PROJECTION		DESCRIPTION ROCKLOCK™ 52MM THREE SIDED PYRAMID BASE		
7140 ENGINEER ROAD SAN DIEGO, CA 92111				SIZE B	PART NO. RL52A-P330	REV A
P (858) 505-0432 F (858) 505-9344				DO NOT SCALE DRAWING		SCALE 1:2

8

7

6

5

4

3

2

1

D

D

C

C

B

B

A

A