

8

7

6

5

4

3

2

1

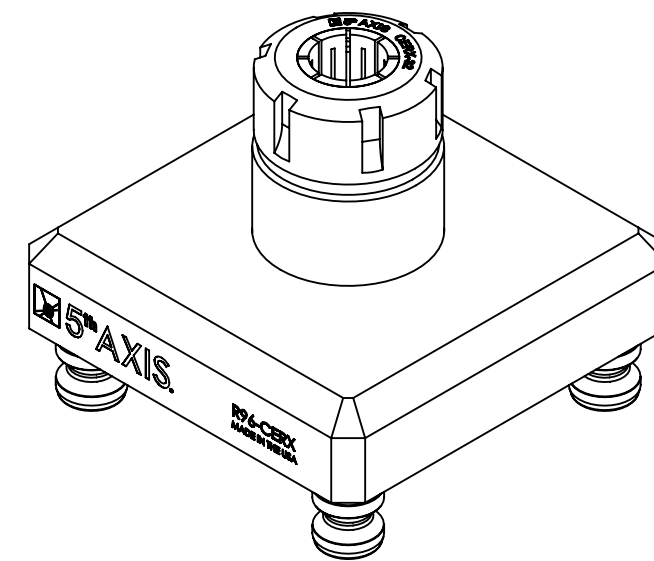
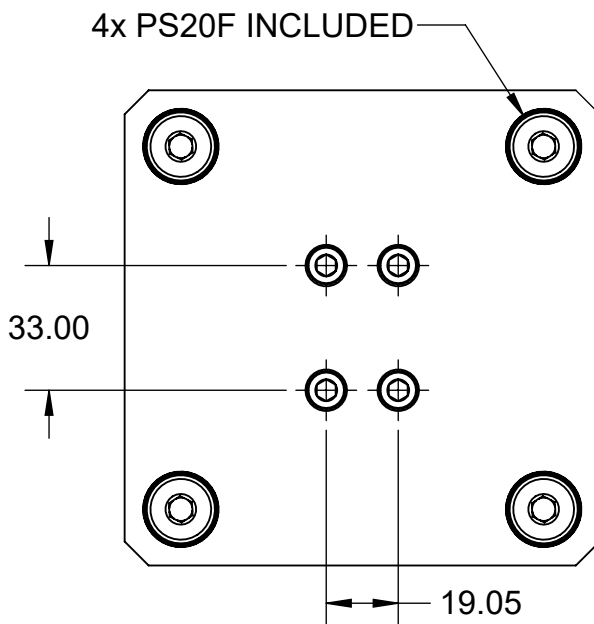
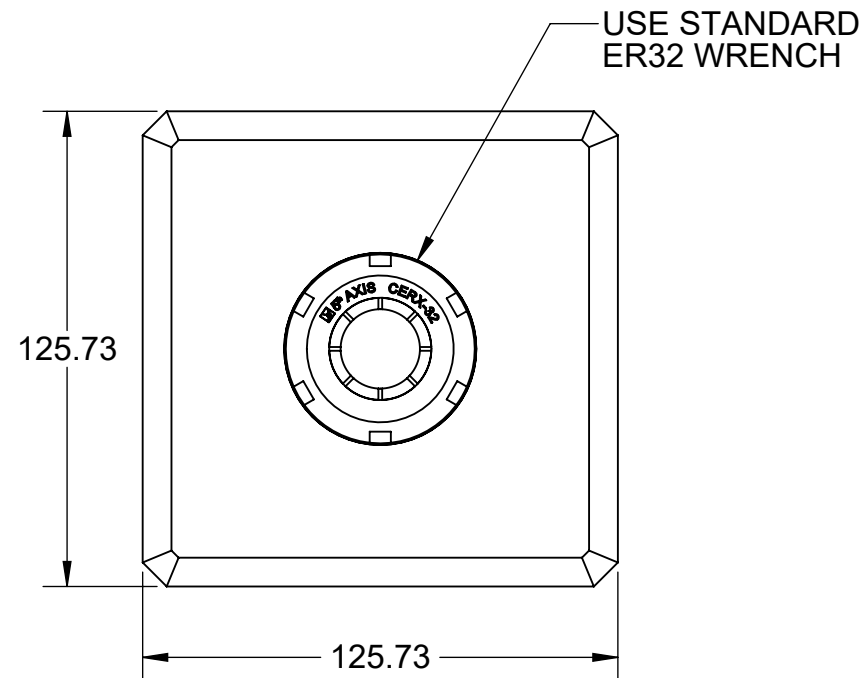
D

D

R96-CERX-32

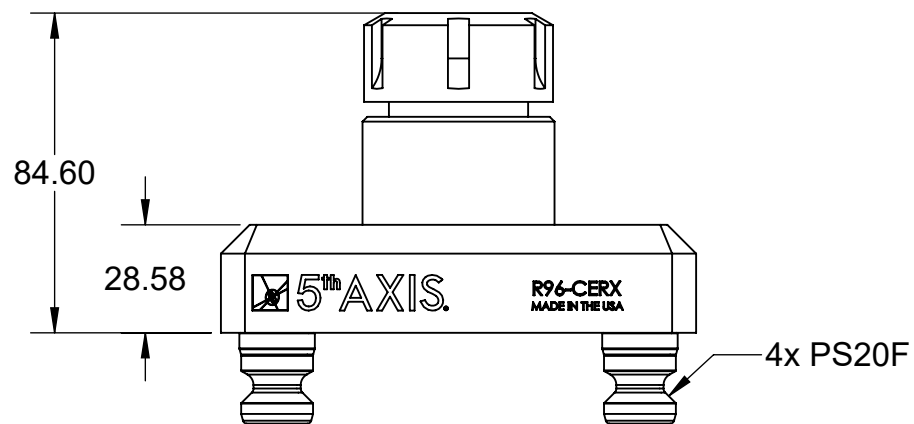
C

C




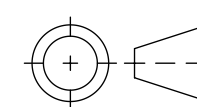
B

B



A

A

MILLIMETER		TOLERANCES UNLESS OTHERWISE SPECIFIED			
DRAWN IN ACCORDANCE WITH ASME Y14.5-2009		x ± 0.1	.xx ± 0.01		
WWW.5THAXIS.COM		.x ± 0.05	.xxx ± 0.005	SIZE B PART NO. R96-CERX-32 REV A	
7140 ENGINEER ROAD SAN DIEGO, CA 92111		ANGULAR ± 0.5°		DO NOT SCALE DRAWING	
P (858) 505-0432 F (858) 505-9344		THIRD ANGLE PROJECTION		SCALE 1:2	
				WEIGHT:	
				SHEET 1 OF 2	

8

7

6

5

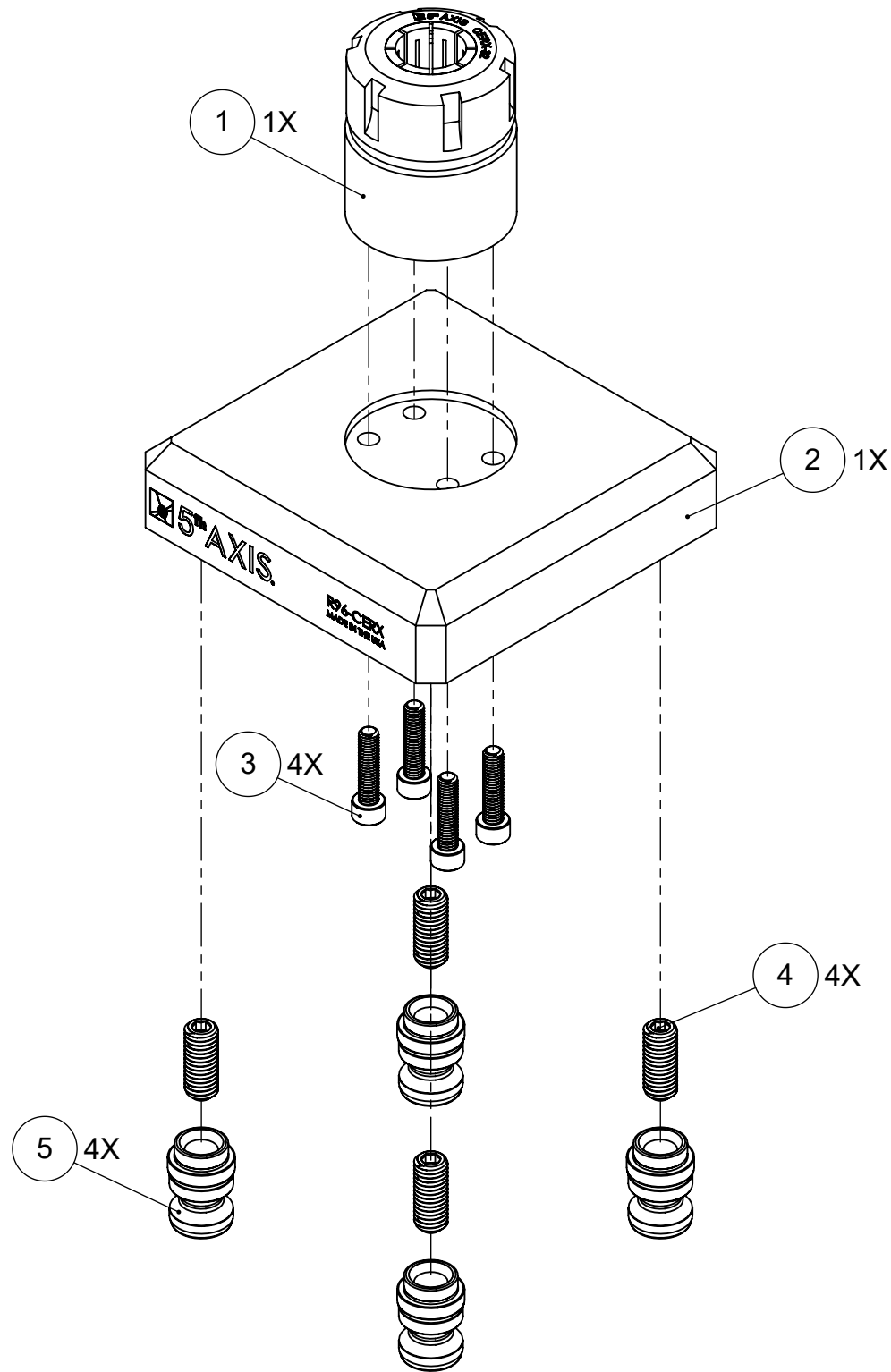
4

3


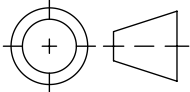
2

1

R96-CERX-32



ITEM NO.	PART NUMBER	DESCRIPTION	QTY.
1	CERX-32	ROUND BAR FIXTURE	1
2	R96-CERX	ADAPTER	1
3	91290A330	M6-1mm x 25mm SHCS	4
4	92015A162	SET SCREW	4
5	PS20F-1	PULL STUD BODY	4
FOR REFERENCE ONLY - NOT FOR RESALE			

MILLIMETER <small>DRAWN IN ACCORDANCE WITH ASME Y14.5-2009</small>	TOLERANCES <small>UNLESS OTHERWISE SPECIFIED</small> x ± 0.1 .xx ± 0.01 .x ± 0.05 .xxx ± 0.005 ANGULAR ± 0.5° THIRD ANGLE PROJECTION			
		DESCRIPTION ROUND BAR FIXTURE TOP TOOLING		
WWW.5THAXIS.COM 7140 ENGINEER ROAD SAN DIEGO, CA 92111 P (858) 505-0432 F (858) 505-9344		SIZE B	PART NO. R96-CERX-32	REV A
DO NOT SCALE DRAWING		SCALE 1:2	WEIGHT:	SHEET 2 OF 2