

8

7

6

5

4

3

2

1

D

D

R96-BLANK

C

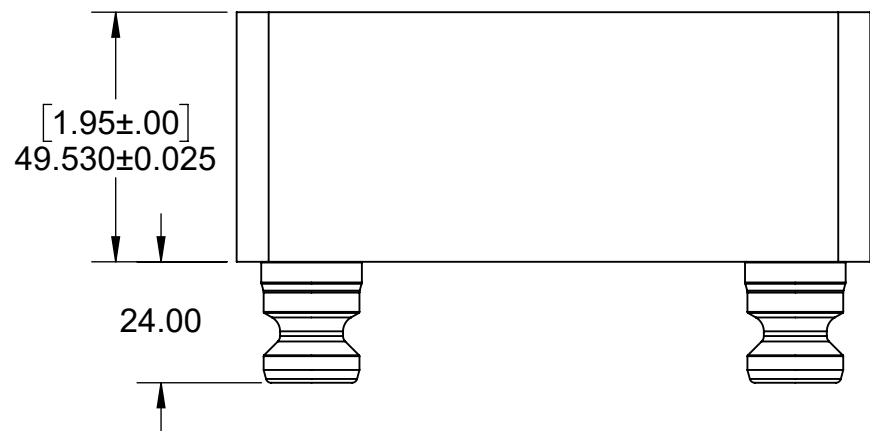
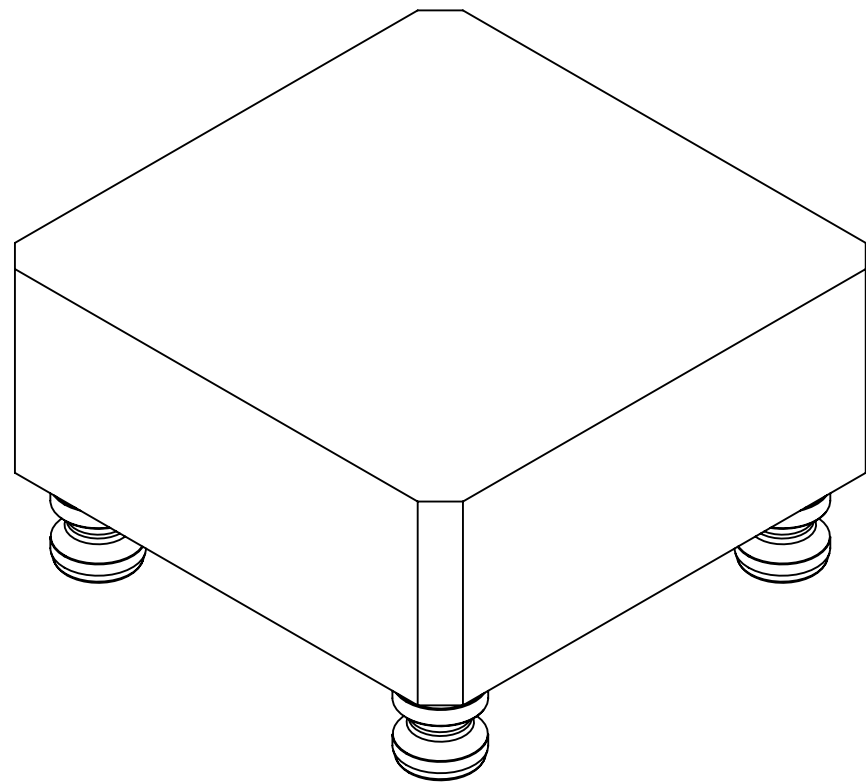
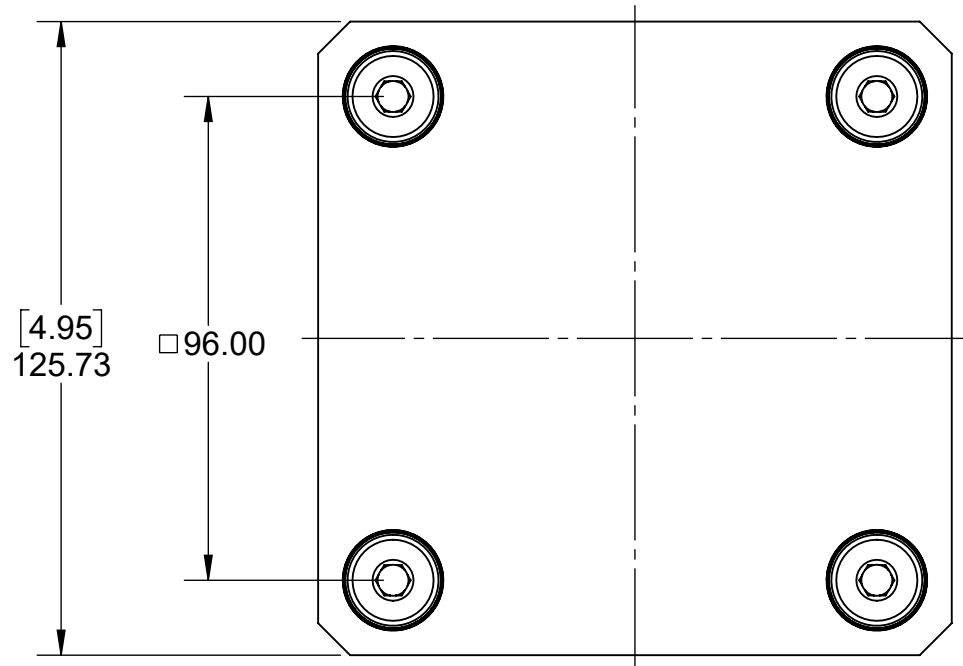
C


B

B

A

A



MILLIMETER		TOLERANCES UNLESS OTHERWISE SPECIFIED			
DRAWN IN ACCORDANCE WITH ASME Y14.5-2009		x ± 0.1 .xx ± 0.01 .x ± 0.05 .xxx ± 0.005 ANGULAR ± 0.5° THIRD ANGLE PROJECTION			
WWW.5THAXIS.COM		DESCRIPTION		ROCKLOCK™ 96MM BLANK	
7140 ENGINEER ROAD SAN DIEGO, CA 92111		SIZE	PART NO.	REV	
P (858) 505-0432 F (858) 505-9344		B	R96-B	A	
		DO NOT SCALE DRAWING		SCALE 2:3	WEIGHT: TBD
				SHEET 1 OF 1	

8

7

6

5

4

3

2

1

8

7

6

5

4

3

2

1

D

D

C

C

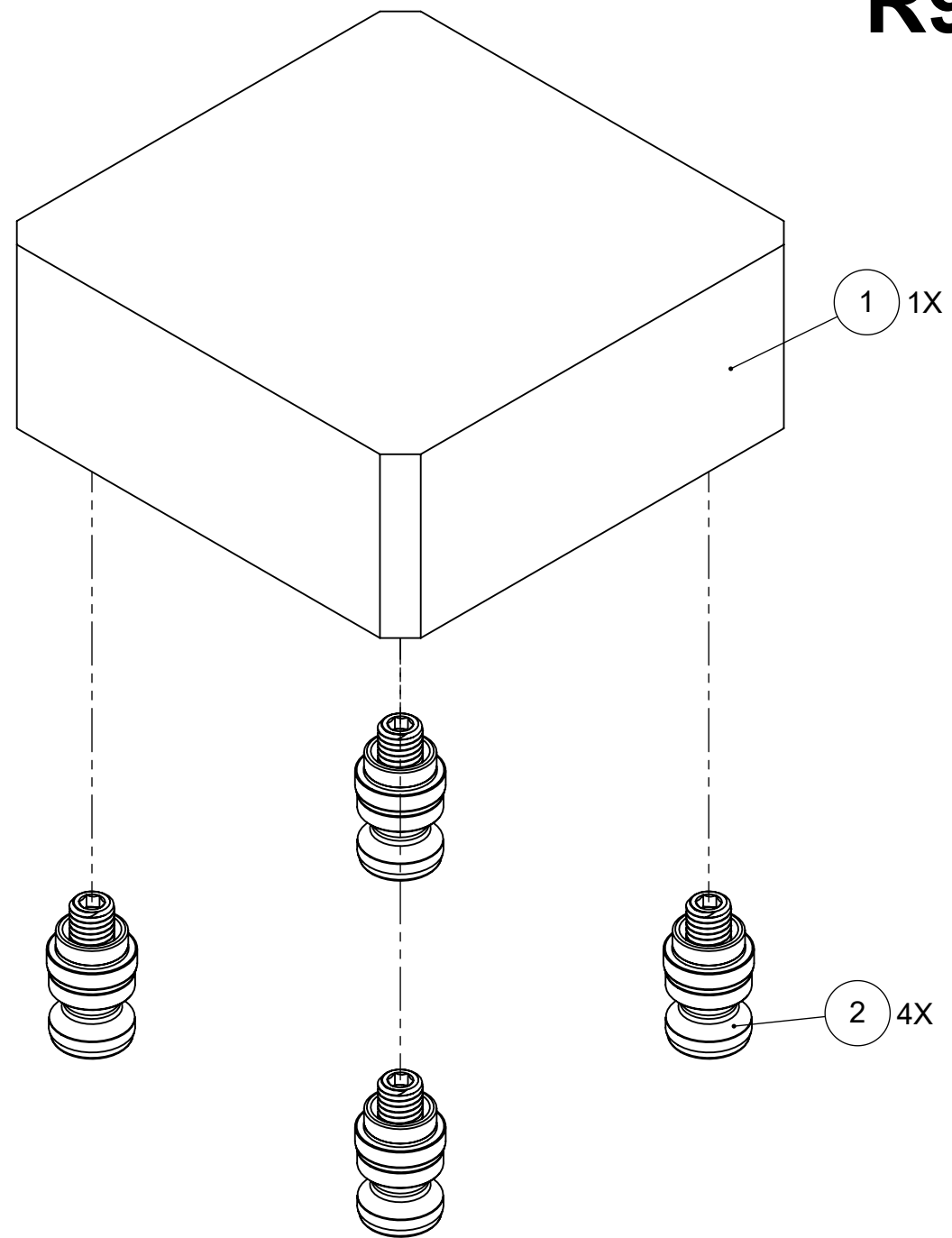
B

B


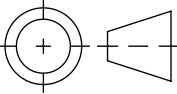
A

A

R96-BLANK



ITEM NO.	PART NUMBER	DESCRIPTION	QTY.
1	R96-BLANK	RISER, DROP BLOCK, DL96 TO D221 DOVETAIL FIXTURE	1
2	PS20F	ROCKLOCK INTERFACING PIN	4

MILLIMETER <small>DRAWN IN ACCORDANCE WITH ASME Y14.5-2009</small>	TOLERANCES <small>UNLESS OTHERWISE SPECIFIED</small> x ± 0.1 .xx ± 0.01 .x ± 0.05 .xxx ± 0.005 ANGULAR ± 0.5° THIRD ANGLE PROJECTION			
		DESCRIPTION ROCKLOCK™ 96MM BLANK		
WWW.5THAXIS.COM 7140 ENGINEER ROAD SAN DIEGO, CA 92111 P (858) 505-0432 F (858) 505-9344		SIZE B	PART NO. R96-B	REV A
DO NOT SCALE DRAWING		SCALE 2:3	WEIGHT: TBD	SHEET 1 OF 1

8

7

6

5

4

3

2

1