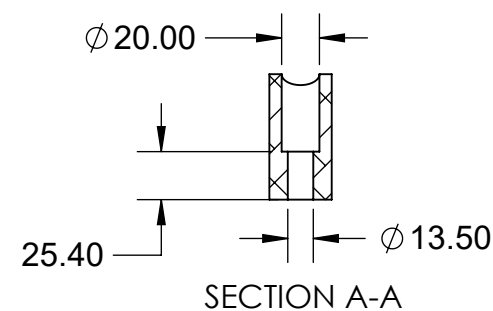
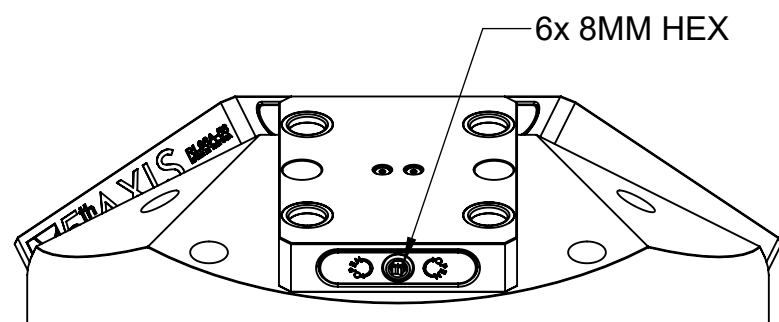
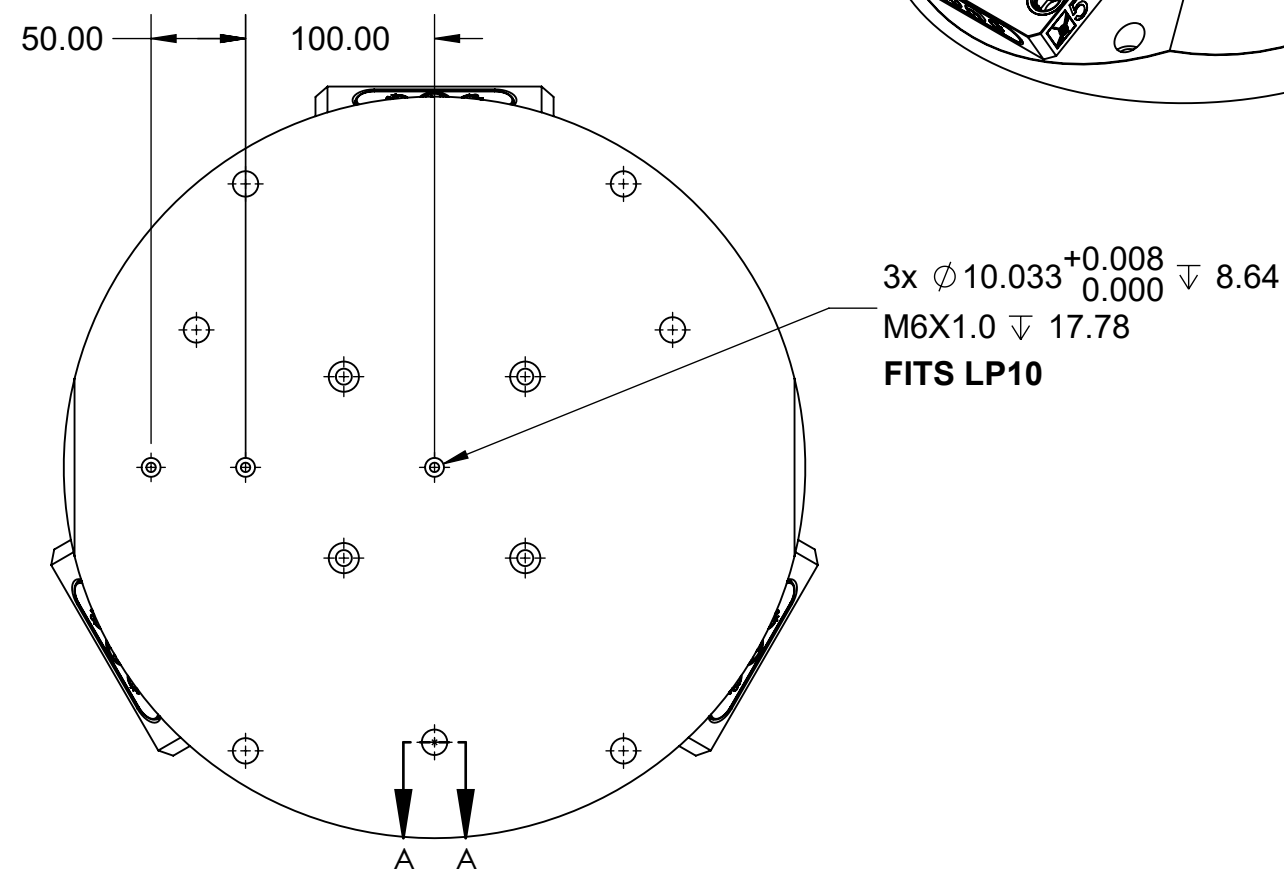
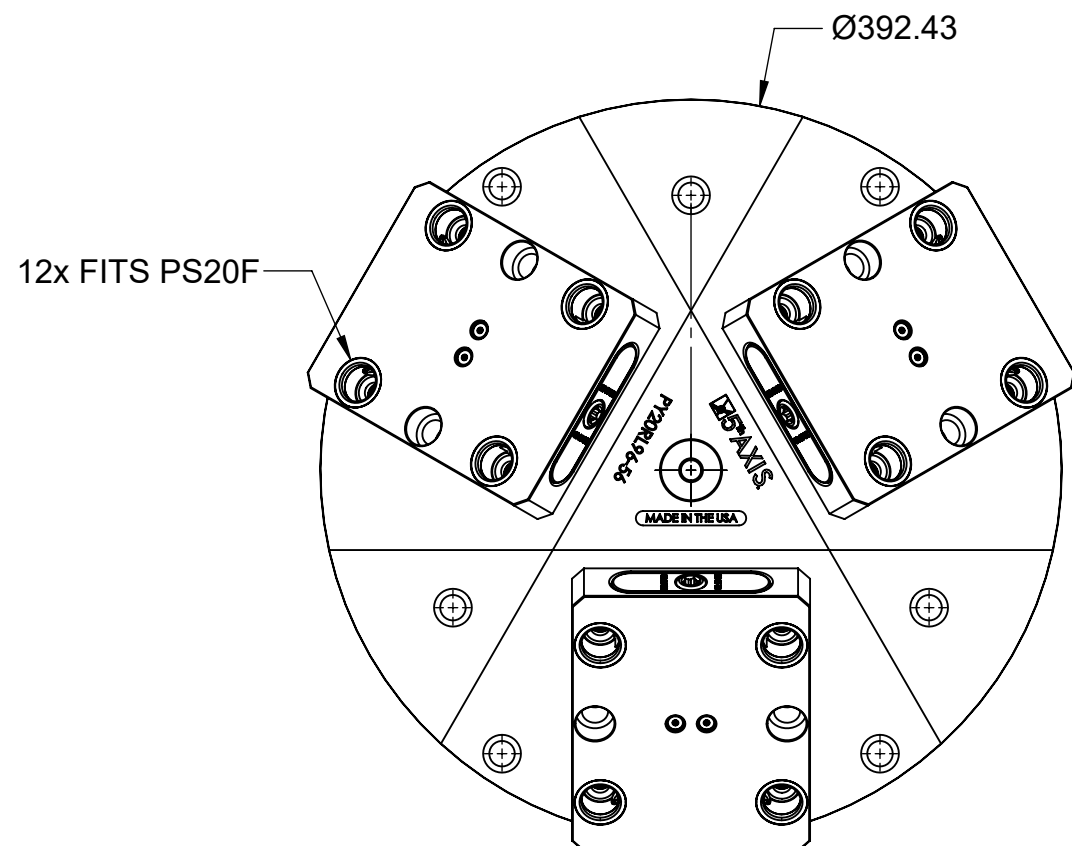
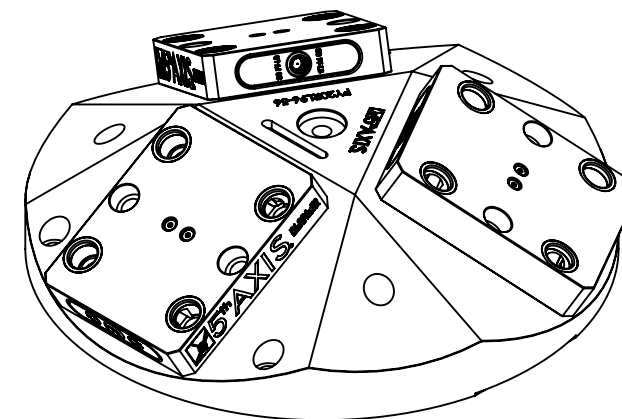


**MATERIAL:**  
**PY30RL96-56: 6061 ALUMINUM BODY**

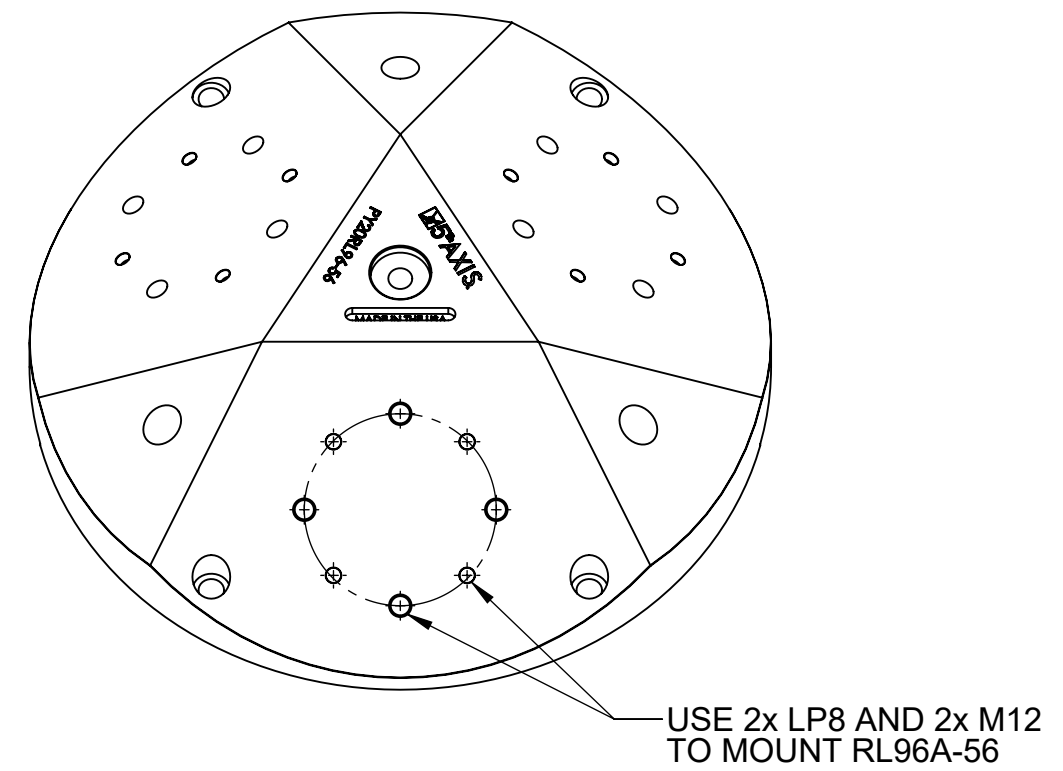
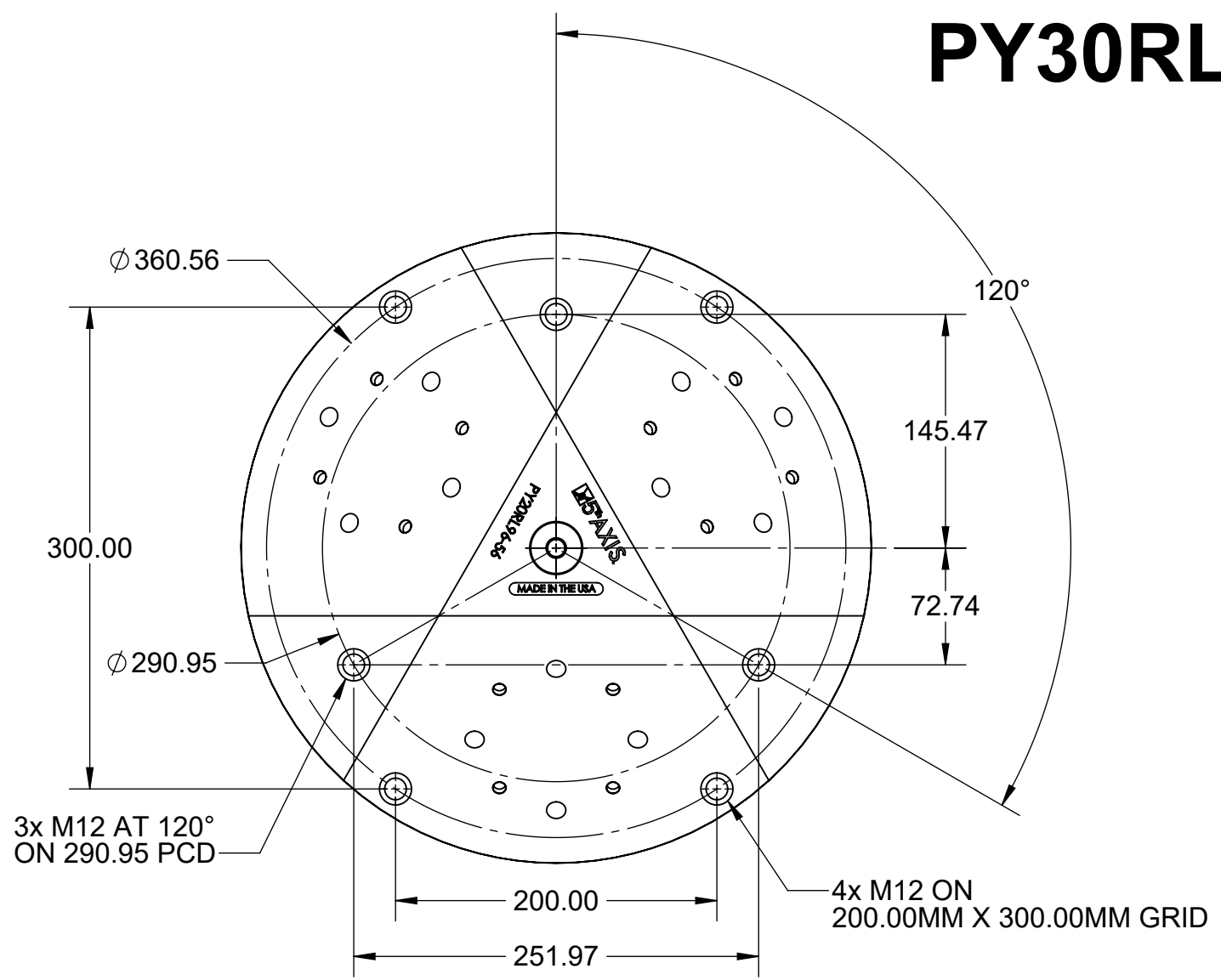
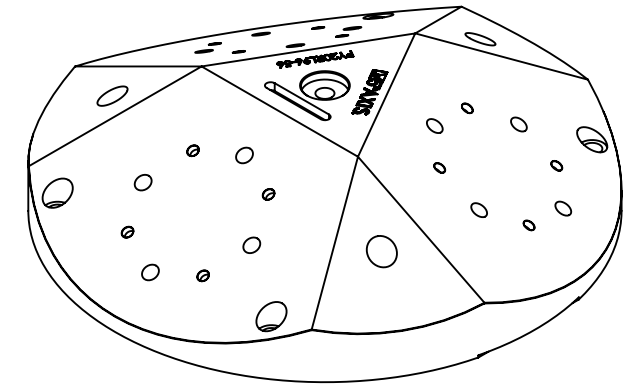
# PY30RL96-56



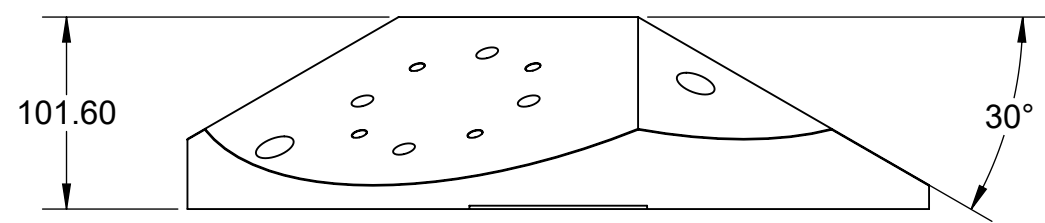
<b>MILLIMETER</b> <small>DRAWN IN ACCORDANCE WITH          ASME Y14.5-2009</small>	<b>TOLERANCES</b> <small>UNLESS OTHERWISE SPECIFIED</small> x ± 0.1    .xx ± 0.01 .x ± 0.05    .xxx ± 0.005 ANGULAR ± 0.5° <small>THIRD ANGLE PROJECTION</small>			
		<b>ROCKLOCK™ THREE SIDED PYRAMID</b>		
WWW.5THAXIS.COM  7140 ENGINEER ROAD SAN DIEGO, CA 92111  P (858) 505-0432 F (858) 505-9344	DESCRIPTION <b>PY30RL96-56</b>	SIZE <b>B</b>	PART NO. <b>PY30RL96-56</b>	REV <b>A</b>
DO NOT SCALE DRAWING		SCALE 1:4	WEIGHT:	SHEET 1 OF 4

**MATERIAL:**  
**PY30RL96-56: 6061 ALUMINUM BODY**

# PY30RL96-56



TOP FACE AUXILIARY VIEW



<b>MILLIMETER</b> <small>DRAWN IN ACCORDANCE WITH ASME Y14.5-2009</small>  WWW.5THAXIS.COM  7140 ENGINEER ROAD SAN DIEGO, CA 92111  P (858) 505-0432 F (858) 505-9344	<b>TOLERANCES</b> <small>UNLESS OTHERWISE SPECIFIED</small> x ± 0.1    .xx ± 0.01 .x ± 0.05    .xxx ± 0.005 ANGULAR ± 0.5° <small>THIRD ANGLE PROJECTION</small>			
		<b>ROCKLOCK™ THREE SIDED PYRAMID</b>		
SIZE <b>B</b> PART NO. <b>PY30RL96-56</b> REV <b>A</b>		DO NOT SCALE DRAWING	SCALE 1:4	WEIGHT:
		SHEET 2 OF 4		

8

7

6

5

4

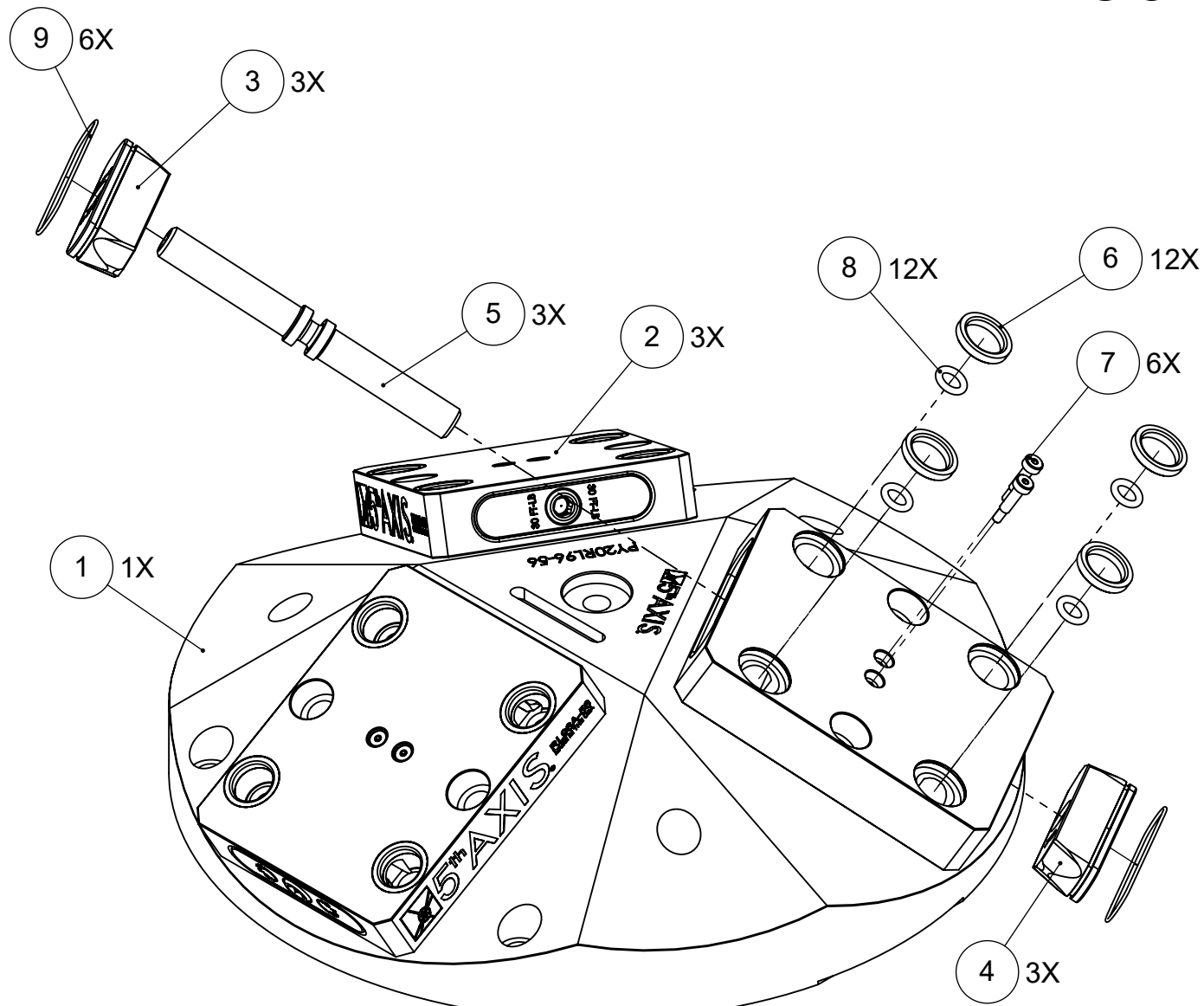
3

2

1

**MATERIAL:**  
**PY30RL96-56: 6061 ALUMINUM BODY**

# PY30RL96-56



ITEM NO.	PART NUMBER	DESCRIPTION	QTY.
1	PY30RL96-56	V562 PYRAMID FIXTURE	1
2	RL96-156A	ROCKLOCK™ BASE	3
3	RL96-2L	LEFT ROCKLOCK™ TRUCK	3
4	RL96-2R	RIGHT ROCKLOCK™ TRUCK	3
5	RL96-3	ROCKLOCK™ LEAD SCREW	3
6	27X20.DB	PRECISION BUSHING	12
7	SB54	SHOULDER BOLT	6
8	9452K183	BASE O-RING	12
9	9452K121	TRUCK O-RING	6
10	9750K73	PLASTIC PLUG (NOT SHOWN)	12

FOR REFERENCE ONLY - NOT FOR RESALE

<b>MILLIMETER</b> <small>DRAWN IN ACCORDANCE WITH ASME Y14.5-2009</small>  WWW.5THAXIS.COM  7140 ENGINEER ROAD SAN DIEGO, CA 92111  P (858) 505-0432 F (858) 505-9344	<b>TOLERANCES</b> <small>UNLESS OTHERWISE SPECIFIED</small> x ± 0.1    .xx ± 0.01 .x ± 0.05    .xxx ± 0.005 ANGULAR ± 0.5° THIRD ANGLE PROJECTION				
		<b>DESCRIPTION</b> <b>ROCKLOCK™ THREE SIDED PYRAMID</b>			
SIZE <b>B</b> PART NO. <b>PY30RL96-56</b> REV <b>A</b>		DO NOT SCALE DRAWING	SCALE 1:3	WEIGHT:	SHEET 3 OF 4

8

7

6

5

4

3

2

1

8

7

6

5

4

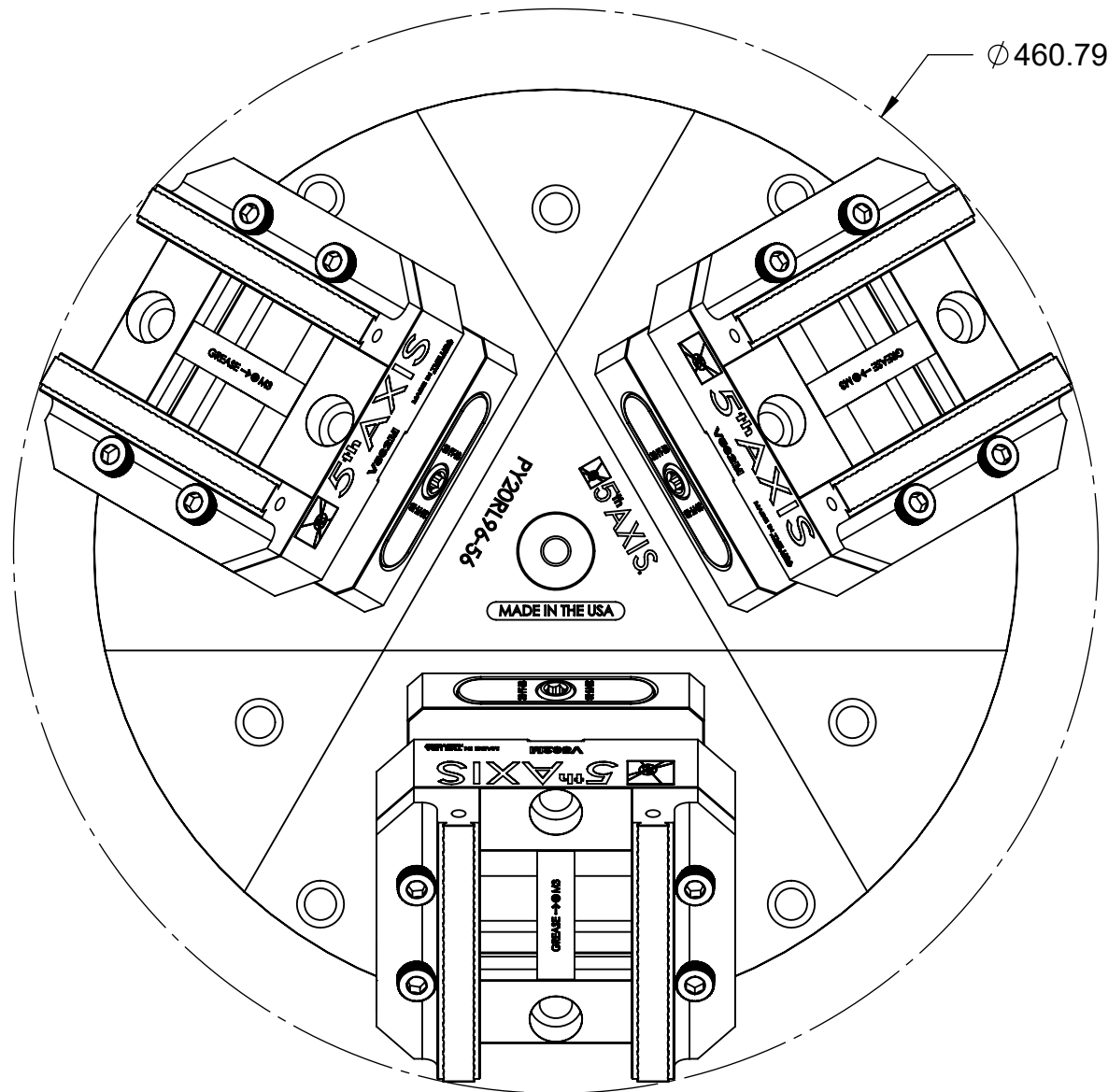
3

2

1

**MATERIAL:**  
**PY30RL96-56: 6061 ALUMINUM BODY**

# PY30RL96-56



TOP VIEW OF PY30RL96-56 WITH 3x V562M

<b>MILLIMETER</b> <small>DRAWN IN ACCORDANCE WITH ASME Y14.5-2009</small>  <small>WWW.5THAXIS.COM</small>  <small>7140 ENGINEER ROAD SAN DIEGO, CA 92111</small>  <small>P (858) 505-0432 F (858) 505-9344</small>	<b>TOLERANCES</b> <small>UNLESS OTHERWISE SPECIFIED</small> x ± 0.1    .xx ± 0.01 .x ± 0.05    .xxx ± 0.005 ANGULAR ± 0.5° <small>THIRD ANGLE PROJECTION</small>		
		<b>DESCRIPTION</b> <b>ROCKLOCK™ THREE SIDED PYRAMID</b>	
<b>SIZE</b> <b>B</b>		<b>PART NO.</b> <b>PY30RL96-56</b>	<b>REV</b> <b>A</b>
<small>DO NOT SCALE DRAWING</small>		<small>SCALE 1:3</small>	<small>WEIGHT:</small>
			<small>SHEET 4 OF 4</small>

8

7

6

5

4

3

2

1